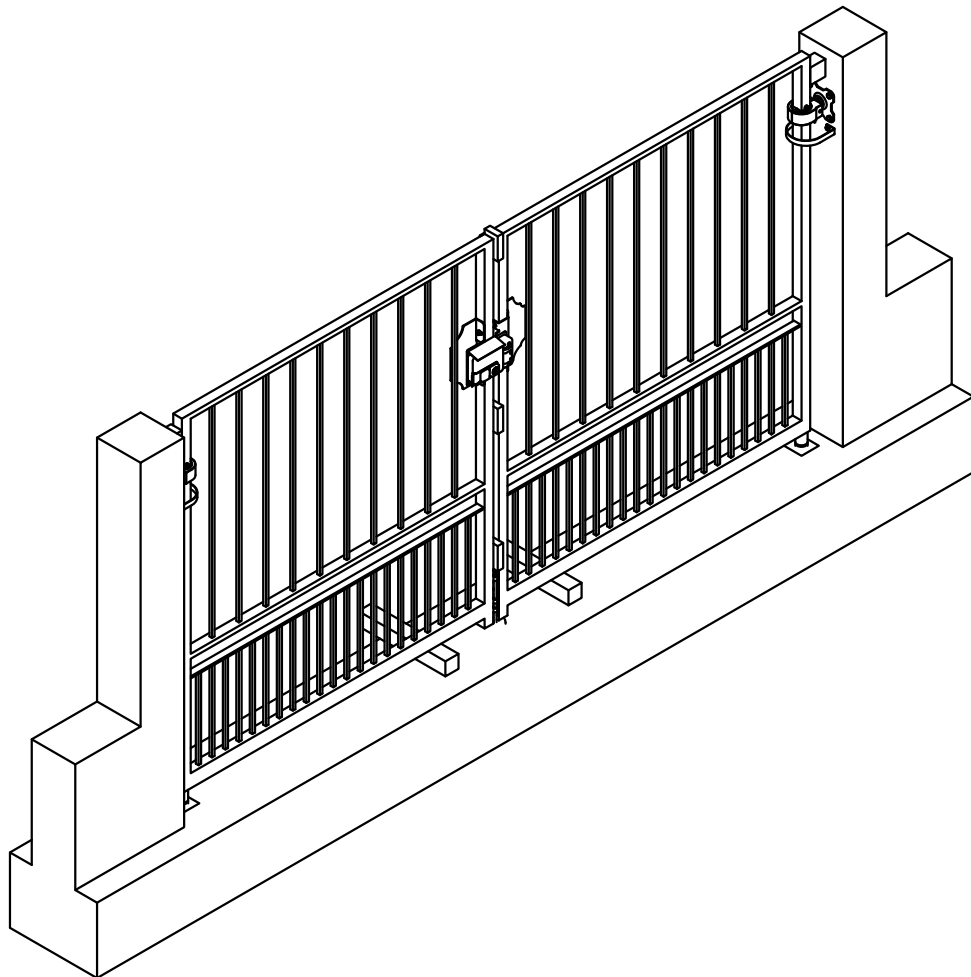
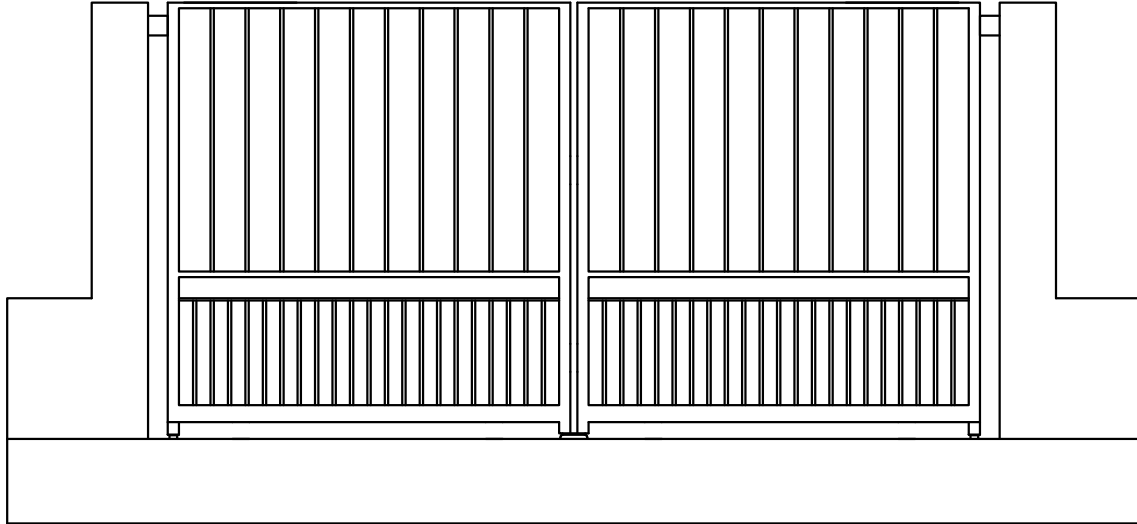


SWING DRIVEWAY GATE INSTALLATION GUIDE

- DOORS ONLY -

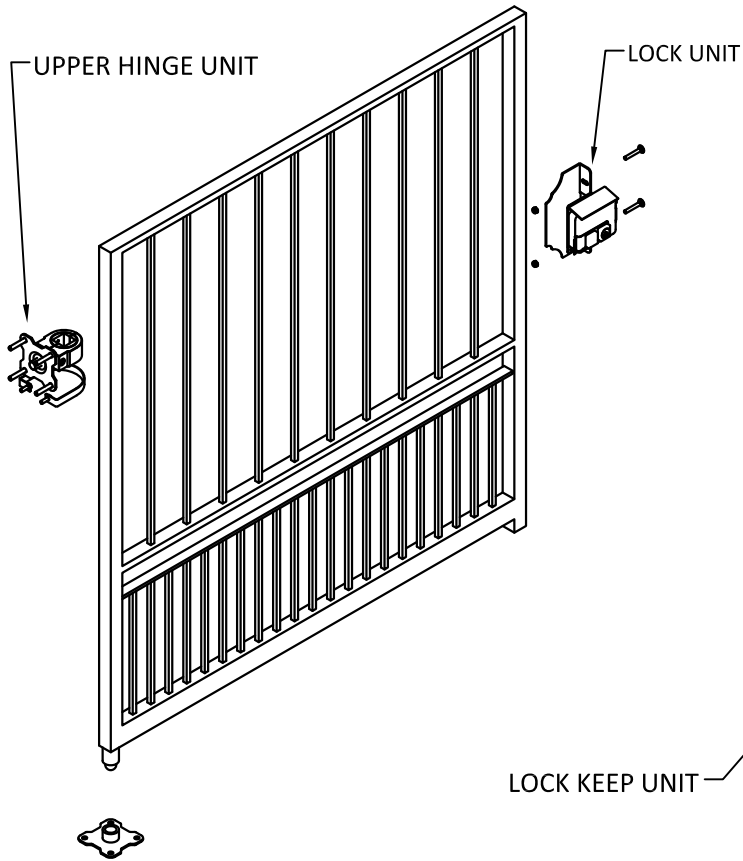
(Tub. One models excluded)



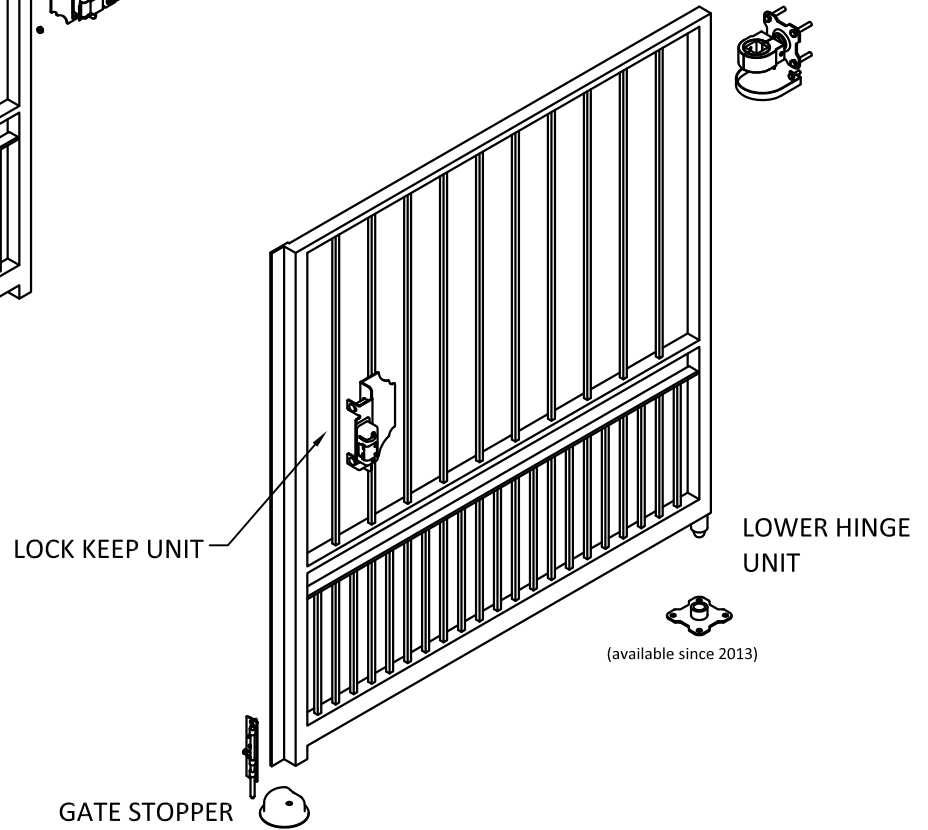
IMPORTANT NOTICE: MAKE REFERENCE TO THE OPERATION AND MAINTENANCE GUIDE SUPPLIED WITH THE GATE

DETAILS

LEFT DOOR



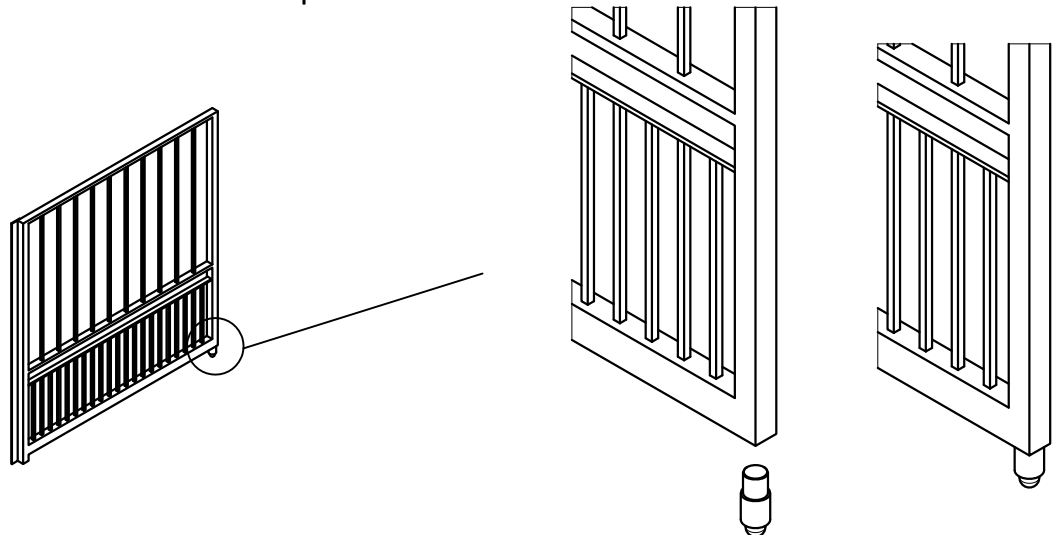
RIGHT DOOR



1 ONLY FOR HAND-OPENING GATES

Apply the lower rotation hinge supplied, insert the non-spherical side into the tube and fasten or weld it (screws are not supplied)

Place the hinge so that the rotation axis is plumb with the door



2

Place the proper shims and make sure that the gate is plumb.

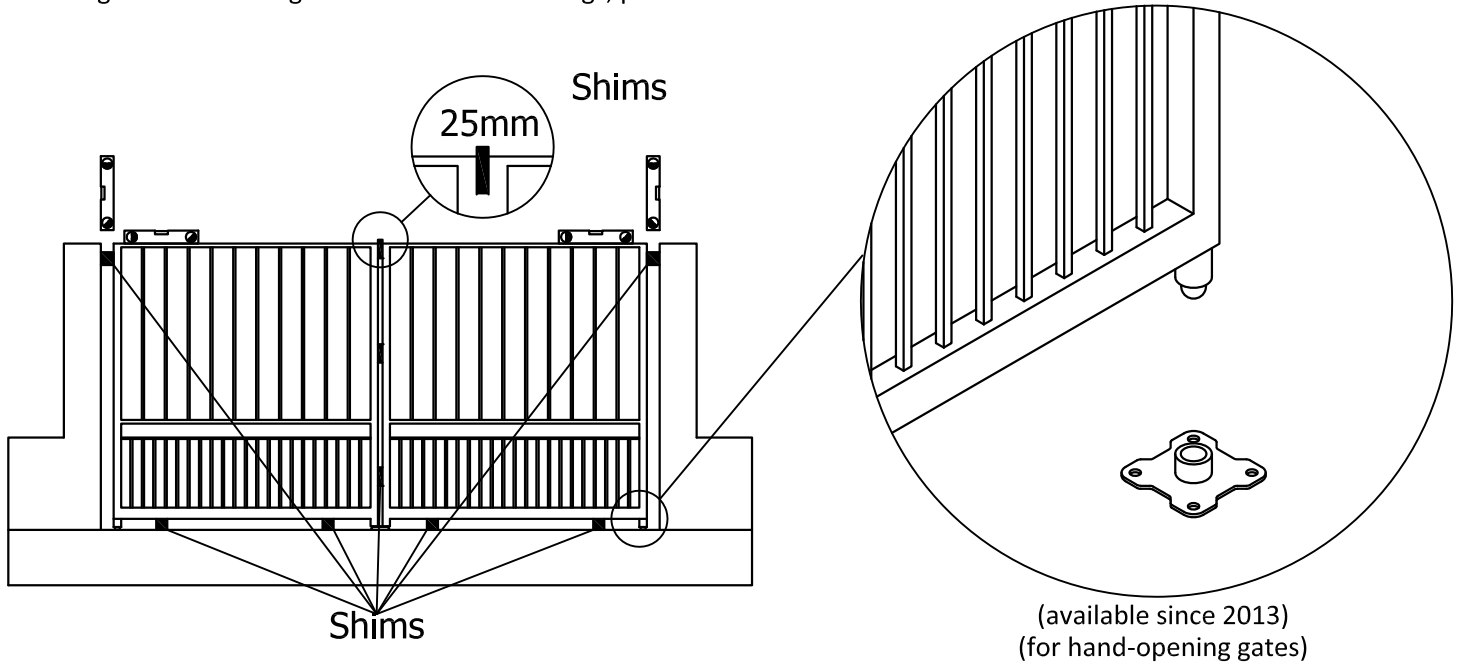
Place the lower hinges' plates by inserting the hinge into its hole (see point 1)

IMPORTANT: make sure that the central distance between the two doors is 25mm

ATTENTION: proceed with fastening only after all procedures described on point 4 are complete

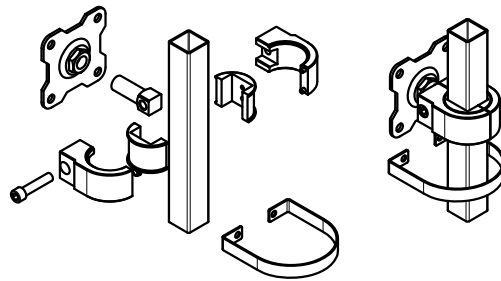
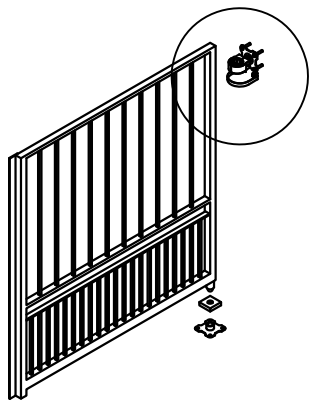
Mark correctly the fastening points

Should the gate have underground automation fittings, place the door onto the frames on the foundation boxes.

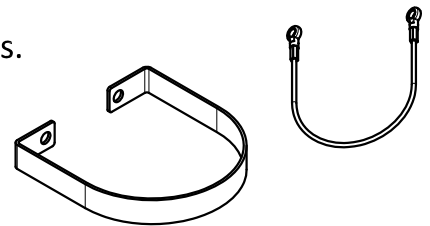


3

Set the position of upper hinge and mark correctly its fastening points.



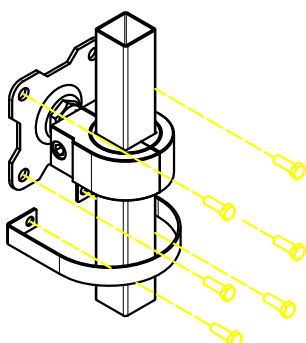
Upper hinge with anti-fall protection ring



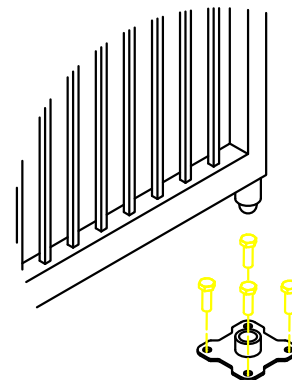
On some models the protection ring might be replaced by a cable

4

Proceed with fastening the upper plate and the protection rings/cables



Proceed with fastening the lower plate

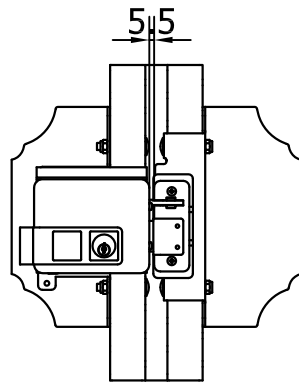
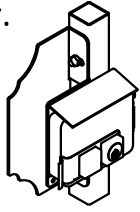


N.B. Should the gate be fitted for underground automation, fasten the door onto the frame on the foundation box

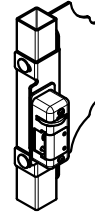
5

LOCK INSTALLATION

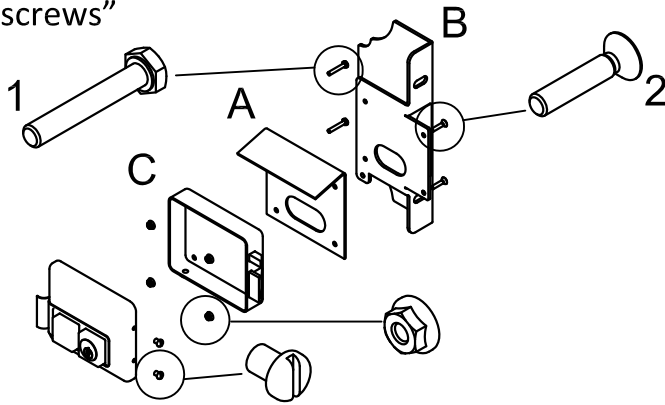
N.B. In case the gate is to be automated this operation might not be necessary.



The picture shows the result of a correct installation. Make sure that the distance between the lock and the lock keep is 5-6mm

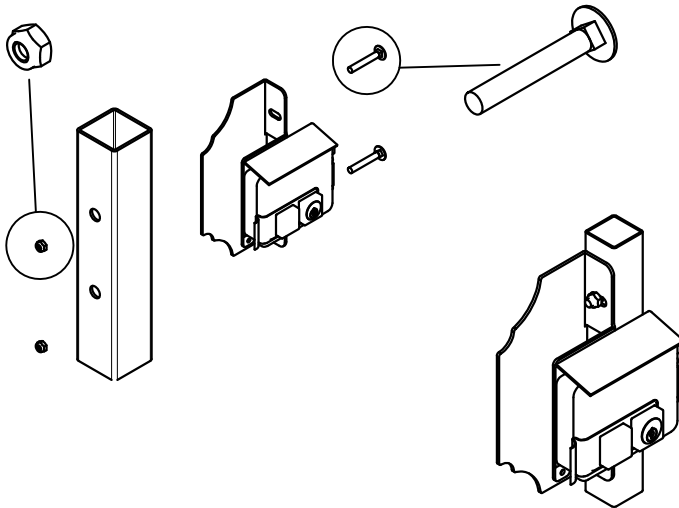


1 - Fasten the shaped plate "A" on the cap "B". Disassemble the lock and fasten the components "A-B-C" using the specific screws"

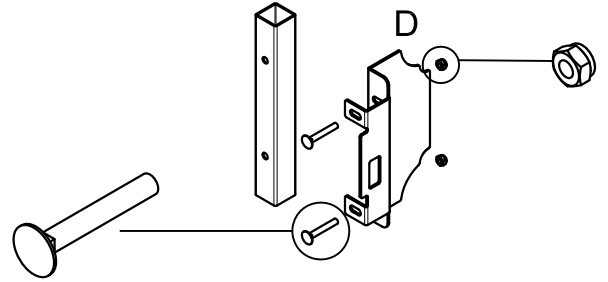


2 - Close the lock

3 - Fasten the lock on the right door of the gate (viewed from the outside).

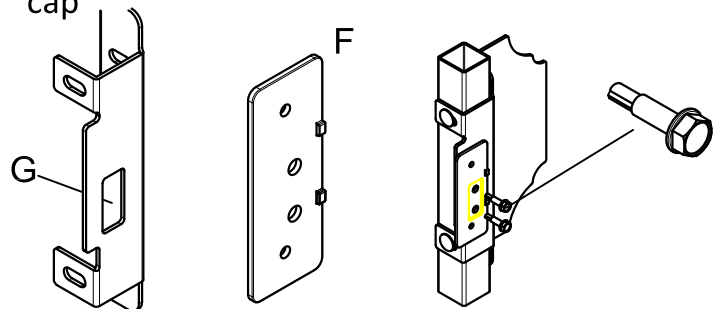


1 - place the cap "D" on the left door (viewed from the outside)

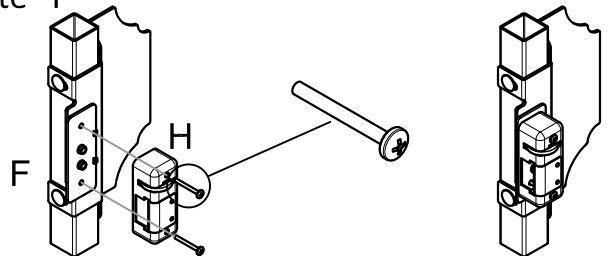


2 - Place the plate "F" so that it is aligned with the lock. Mark its position.

3 - fasten the plate "F" to the door using 2 selftapping screws through the hole "G" on the cap



4 - proceed with fastening of the lock keep "H" (inserting the lock washer) and screw it on the plate "F"



6

Install the gate stopper on the ground and the lever retainer if present.

N.B. In case the gate is to be automated, the lever retainer is not necessary

Drill the hole for lever retainer fastening

